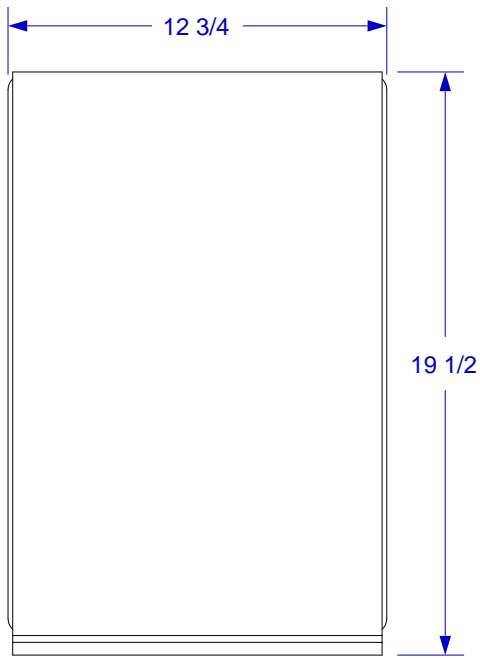


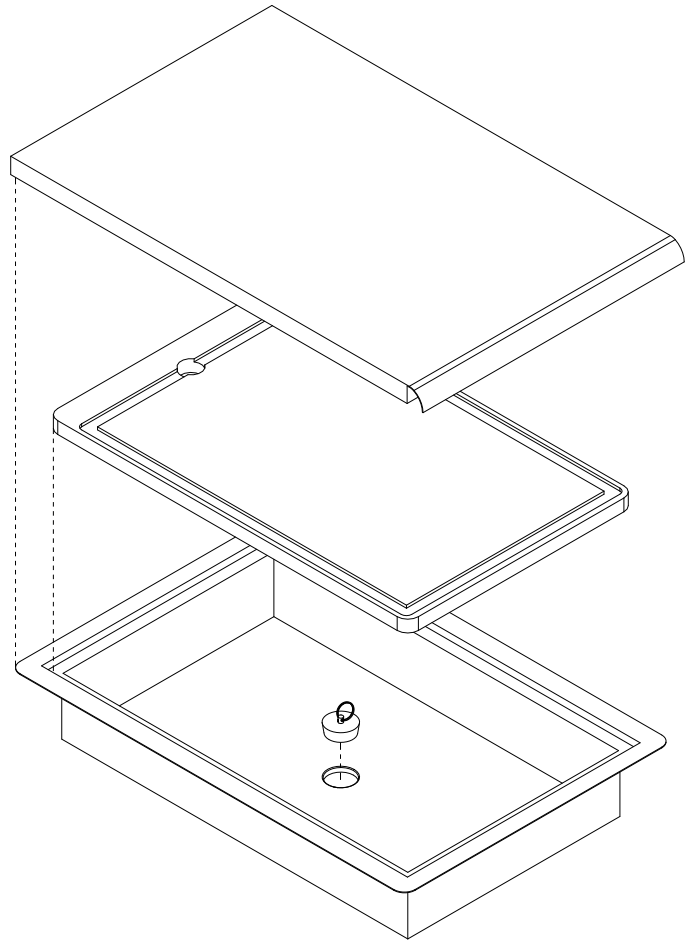


# CUTTING BOARD

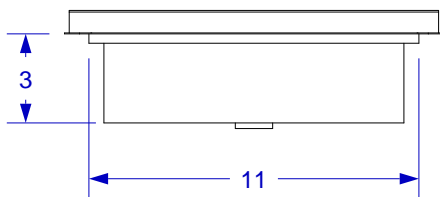
## SPEC SHEET



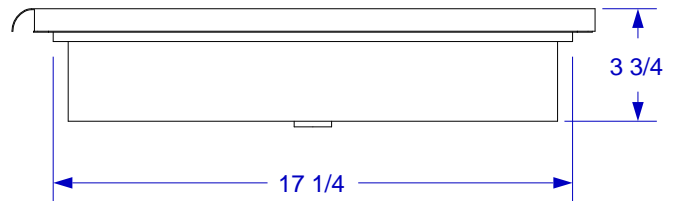
TOP VIEW



ISOMETRIC VIEW



FRONT VIEW



RIGHT SIDE VIEW

**NOTES:**

1. CUTOUT DIMENSIONS: 11 1/4" X 17 1/2" X 3"
2. SCALE: 1 7/8" = 1'-0"
3. REVISION: 10/2009